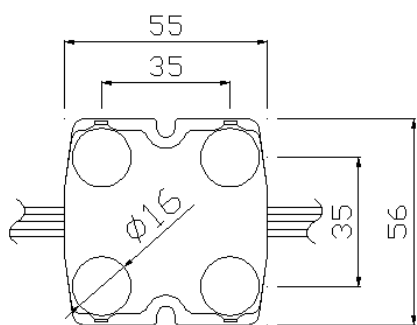
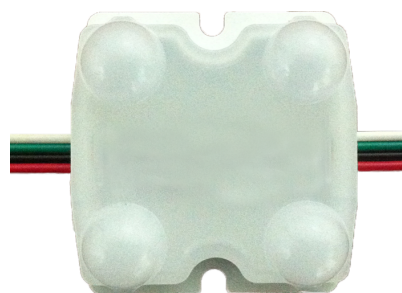
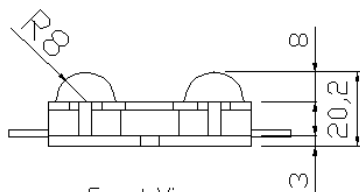


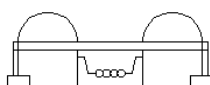
RGB Full Color 4 LEDs Module(Cluster) (RGB 풀칼라 4구 LED모듈)



Top View



Front View



Side View

The Technical Specifications of 4 LEDs Module (LH-SMC-435)

Descriptions	Specifications	Remarks
1. Driving Current	120 mA	* at 12V white
2. Power Consumption	1.44 W	* at 12V white
3. Operating Voltage	9 ~ 12 VDC	
4. Recommended Voltage	12 VDC	
5. LED Quantity	4 SMDs	
6. LED Chip	5.4mm(W)x5.0mm(D)x1.5mm(H)	
7. Operating Temperature	-20°C ~ +70°C	
8. LED Viewing Angle	120 degree	
9. Interval Distance between LEDs	90mm	
10. LED Luminous Intensity (In one SMD Package)	Red : 3200 mcd (max.)	RGB Full Color
	Green : 7200 mcd (max.)	
	Blue : 1400 mcd (max.)	
11. input clock speed	5MHz	
12. Outline Size	55mm x56mm (H) x 20.2mm	
13. Weight	About 25 g	
14. LED to LED distance	35mm	